

SAN MATEO COUNTY DEPARTMENT

OF

PUBLIC WORKS

DRAWN BY: D.P.

CHECK BY: J.A.L.

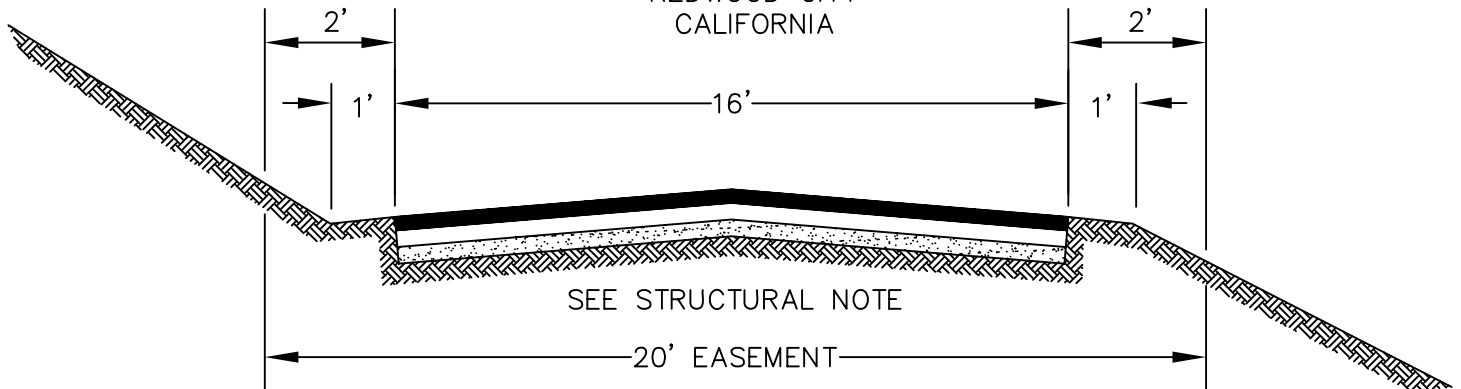
APPROVED BY: N.R.C.

SCALE: NONE

DATE: 6/95

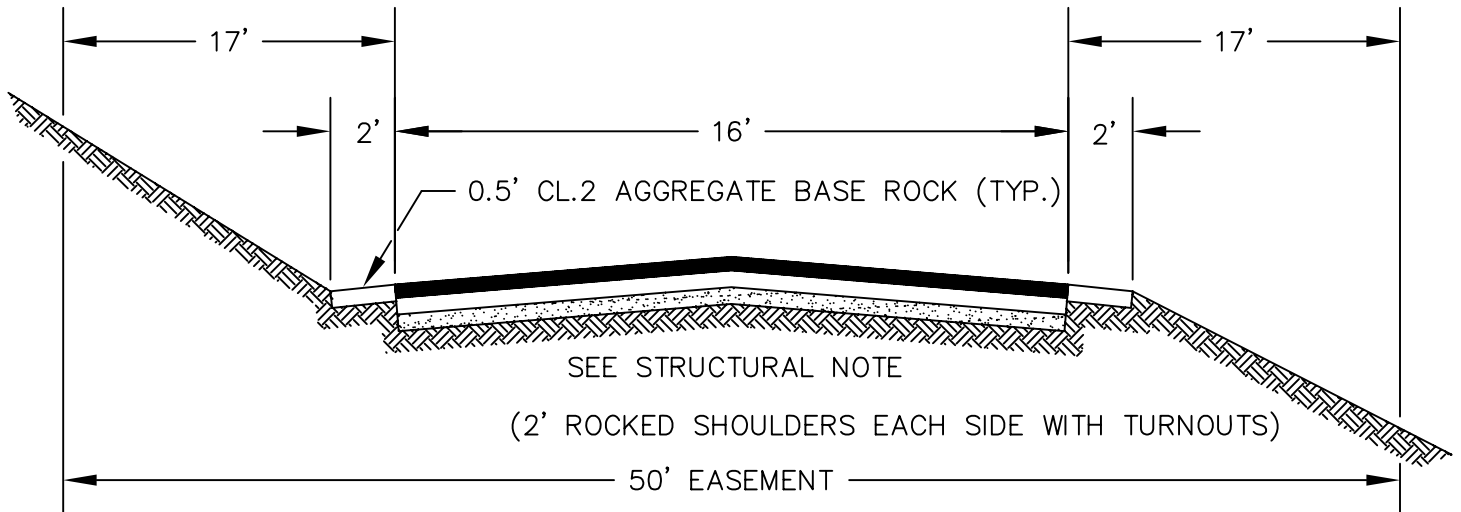
REVISED: 7/97

REDWOOD CITY
CALIFORNIA



(1' GRADED SHOULDERS EACH SIDE)

PRIVATE ROAD WITHIN MINOR LAND DIVISION
(SERVES 2 THRU 4 PARCELS)



(2' ROCKED SHOULDERS EACH SIDE WITH TURNOUTS)

PRIVATE ROAD WITHIN MINOR LAND DIVISION
SERVES 4 THRU 10 PARCELS AND WITH ALL
PARCELS 40 ACRES OR LARGER

NOTES:

1. PRIVATE ROAD TO BE USED ON MINOR SUBDIVISIONS ONLY AND SHALL BE SURFACED WITH 6" CLASS 2 AGGREGATE BASE ROCK OR EQUIVALENT, COMPACTED TO 95% WITH A PENETRATION COAT OF LIQUID ASPHALT.
2. PRIVATE ROAD STANDARDS MAY BE UTILIZED ON RURAL MINOR SUBDIVISION CONTAINING 10 OR LESS PARCELS.
3. CROSS SLOPE SHALL BE 2% CROWNED FROM CENTERLINE, UNLESS DIRECTED OTHERWISE BY DEPARTMENT OF PUBLIC WORKS.
- * 4. ROADWAY CUT AND FILL SLOPE TO BE DETERMINED BY SOILS ENGINEER.
- * SEE A-4, NOTE 3.